

www.liftchair.com - 1-800-798-2499

SPECTRUM SEATING™

Solutions by Golden

Worksheet

Effective 2-06



YOUR LIFE IN MOTION

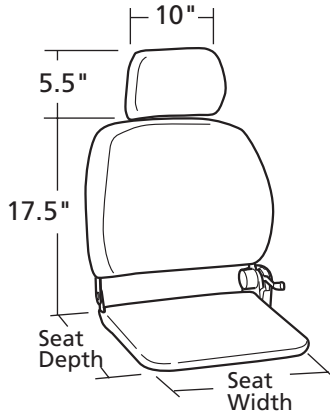
www.liftchair.com - 1-800-798-2499

Seating Options www.liftchair.com 1-800-798-2499

Key



Production time 1: Shaded area = standard 48 hours
 Production time 2: Heavy outline = 3-5 business days*
 Production time 3: Outside heavy outline = 10-14 business days*
 *Upcharges may apply



(Van Back/ Pan Seat)
Part # PW4

		Seat Width				
		16"	18"	20"	22"	24"
Seat Depth	16"					
	18"					
	20"					

Headrest: range of adjustment 3"

Seat Angle: adjustable to 105°

Seat available on models:

PwrWhlChr	 Scooter
201R	221**
201RHD	321**
202R	421**
600	

** restrictions may apply

Fabric: Vinyl

Colors:

Standard

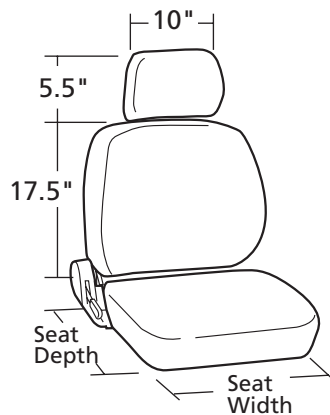
Black

Special Order

Gray

Sand

Hinges: Adjustable; ratchet



(Captain's Seat w/ Headrest)
Part # PW1

		Seat Width				
		16"	18"	20"	22"	24"
Seat Depth	16"					
	18"					
	20"			HD models only		

Standard seat depth and width:

18"x 18" on 201 & 600.

20"x20" on 201RHD & 202.

Headrest: range of adjustment 3"

Seat Angle: adjustable to 105°

Seat available on models:

PwrWhlChr	 Scooter
201R	321**
201RHD	421**
202R	
600	

** restrictions may apply

Fabric: Vinyl

Colors:

Standard

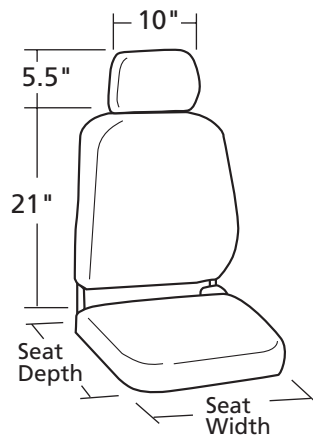
Gray

Sand

Special Order

Black

Hinges: Adjustable; ratchet



(Deluxe High Back w/ Headrest)
Part # PW2

		Seat Width				
		16"	18"	20"	22"	24"
Seat Depth	16"					
	18"					
	20"					

Headrest: range of adjustment 3"

Seat Angle: adjustable to 105°

Seat available on models:

201R
201RHD
202R
600

Fabric: Vinyl

Colors:

Standard

Gray

Sand

Special Order

Black

Hinges: Adjustable; ratchet

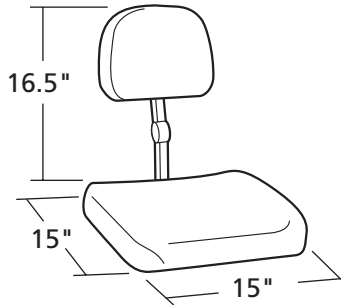
Seating Options Scooter

www.liftchair.com - 1-800-798-2499

Key



Production time 1: Shaded area = standard 48 hours
 Production time 2: Heavy outline = 3-5 business days*
 Production time 3: Outside heavy outline = 10-14 business days*
 *Upcharges may apply



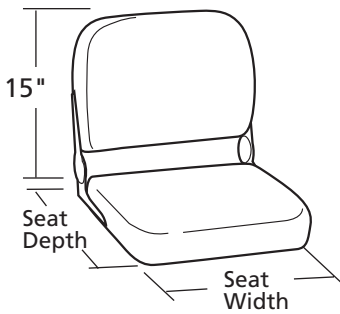
Seat Angle: Not adjustable

Color/Fabric: Black Vinyl

Standard Seat on models: 101
103
104
105

Buzz Seat

Part # PSB-SEAT- ASSY



		Seat Width			
		16"	18"	20"	22"
Seat Depth	16"				
	18"				
	20"				

Seat Angle: adjustable

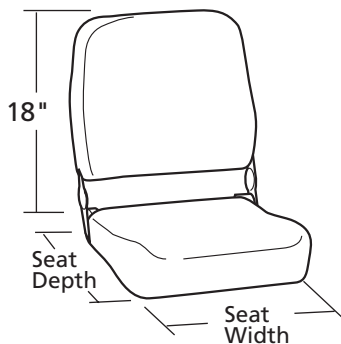
Color/Fabric: [] Charcoal Vinyl
[] Nubuck Vinyl
[] Tasmania Black
[] Tasmania Khaki

Standard Seat on models: 221
Optional Seat on models: 101**
103**
104**
105**

Hinges: Adjustable

221 Seat
Part S01

** restrictions may apply



		Seat Width			
		16"	18"	20"	22"
Seat Depth	16"				
	18"				
	20"				

Back Height: 18"

Color/Fabric: [] Charcoal Vinyl
[] Nubuck Vinyl
[] Tasmania Black
[] Tasmania Khaki

Seat Angle: adjustable
Standard Seat on models: 321
421

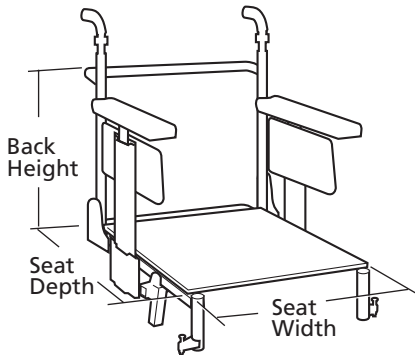
Hinges: Adjustable

Optional Seat on model: 221**

Key



Production time 1: Shaded area = standard 48 hours
 Production time 2: Heavy outline = 3-5 business days*
 Production time 3: Outside heavy outline = 10-14 business days*
 *Upcharges may apply



	Seat Width			
	16"	18"	20"	22"
16"				
18"				
20"				

Part # PW3

Back Height: adjustable

Seat Angle: adjustable

Seat available on models:

PwrWhlChr	 Scooter
201R	221**
201RHD	321**
202R	421**
600	

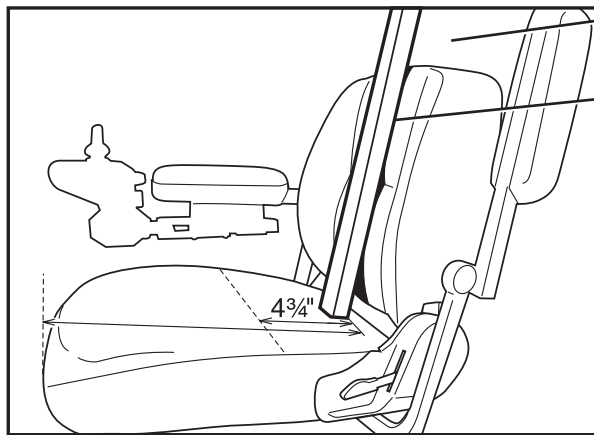
Fabric: NA

Colors: Black

Hinges: NA

** restrictions may apply

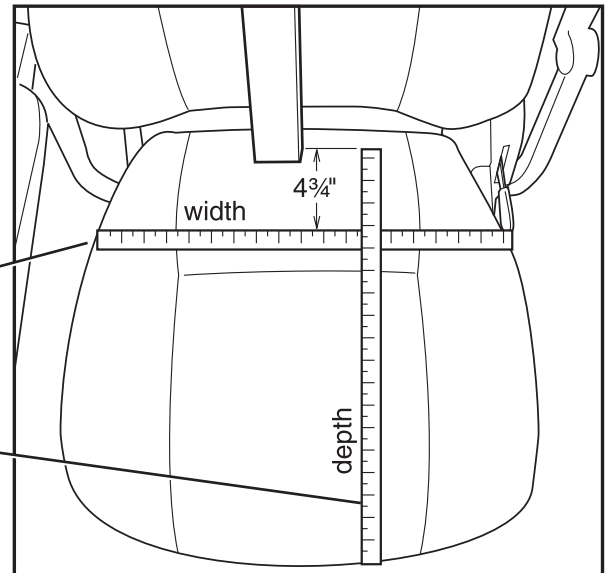
Measuring Method



Remove headrest
 Establish seat back plane: 105° angle for proper measurement

Measure seat width 4 3/4" from seat back plane

Measure seat depth from seat back plane to front edge of seat



Tolerance for all dimensions: + .5"
 - .25"